

Selected Dimensions

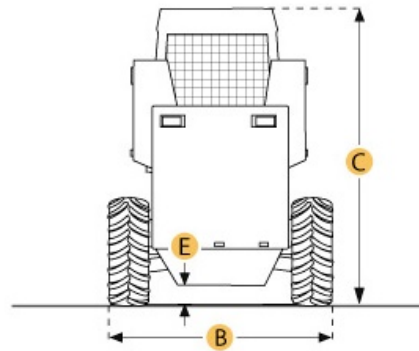
Dimensions

A. LENGTH WITH BUCKET	12.1 ft in	3690 mm
B. WIDTH OVER TIRES	6 ft in	1830 mm
C. HEIGHT TO TOP OF CAB	6.9 ft in	2090 mm
D. WHEELBASE	4 ft in	1220 mm
E. GROUND CLEARANCE	9.4 in	238 mm
G. CLEARANCE AT MAX LIFT AND DUMP	8.1 ft in	2460 mm
H. REACH AT MAX LIFT AND DUMP	34.3 in	870 mm

Specification

Engine

MAKE	JCB	
MODEL	TC-63	
GROSS POWER	84 hp	62.6 kw
POWER MEASURED @	2400 rpm	
DISPLACEMENT	268 cu in	4.4 L
TORQUE MEASURED @	1800 rpm	
MAX TORQUE	267 lb ft	362 Nm
ASPIRATION	Turbocharged	



Operational

OPERATIONAL WEIGHT	7971 lb	3615.6 kg
FUEL CAPACITY	27.2 gal	103 L
COOLING SYSTEM FLUID CAPACITY	4.1 gal	15.5 L
ENGINE OIL FLUID CAPACITY	3.7 gal	14 L
HYDRAULIC SYSTEM FLUID CAPACITY	15.9 gal	60 L
CHAIN BOX FLUID CAPACITY - EACH SIDE	6.1 gal	23 L
OPERATING SPEED	6.8 mph	10.9 km/h
MAX SPEED	12.4 mph	20 km/h
TIRE SIZE	12 x 16.5	
OPERATING VOLTAGE	12 V	
ALTERNATOR SUPPLIED AMPERAGE	95 amps	

Loader

OPERATING LOAD RATING	2600 lb	1179.3 kg
TIPPING LOAD	5448 lb	2471.2 kg
BUCKET CAPACITY	0.61 yd ³	0.47 m ³

Hydraulic

PUMP FLOW CAPACITY	23 gal/min	87.1 L/min
RELIEF VALVE PRESSURE	3335 psi	22994 kPa

Dimensions

LENGTH WITH BUCKET	12.1 ft in	3690 mm
WIDTH OVER TIRES	6 ft in	1830 mm
HEIGHT TO TOP OF CAB	6.9 ft in	2090 mm
CLEARANCE AT MAX LIFT AND DUMP	8.1 ft in	2460 mm
WHEELBASE	4 ft in	1220 mm
GROUND CLEARANCE	9.4 in	238 mm
REACH AT MAX LIFT AND DUMP	34.3 in	870 mm
TURNING RADIUS FROM CENTER - MACHINE REAR	69.3 in	1760 mm
TURNING RADIUS FROM CENTER - INC BUCKET	86.6 in	2200 mm