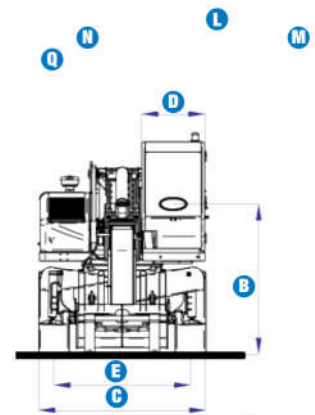
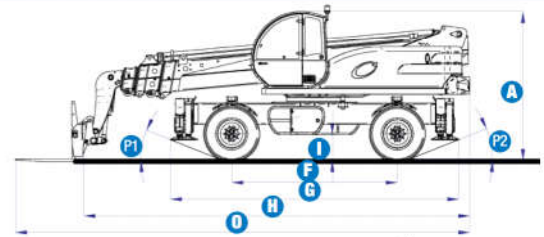


Specifications

MODEL	GTH™-6025 ER	
MEASUREMENTS	Metric	Imperial
Lifting height maximum	24.84 m	81 ft 6 in
Lifting capacity maximum	6,000 kg	13,226 lbs
Lift capacity at maximum height	2,000 kg	4,409 lbs
Lift capacity at maximum reach	250 kg	551 lbs
Forward reach maximum	20.85 m	68 ft 4 in
Reach at maximum height	3.65 m	11 ft 11 in
A Height	3.15 m	10 ft 4 in
B Height at steering wheel	2.23 m	7 ft 3 in
C Width	2.47 m	8 ft 1 in
D Inside cab width	78 cm	2 ft 7 in
E Track	2.02 m	6 ft 7 in
F Wheelbase	3.50 m	11 ft 5 in
G Length at stabilisers	6.09 m	19 ft 11 in
H Length at fork-holder plate	8.40 m	27 ft 6 in
I Ground clearance	54 cm	1 ft 9 in
L Overall width, stabilisers extended	5.04 m	16 ft 6 in
M Side rear overhang	3.28 m	10 ft 9 in
N Side front overhang	5.12 m	16 ft 9 in
O Overall length	9.60 m	31 ft 6 in
Q Overall front overhang	6.31 m	20 ft 8 in
P1 Obstruction angle	21.5°	21.5°
P2 Departure angle	21.5°	21.5°



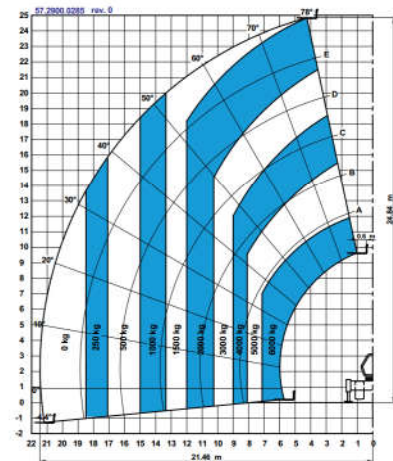
PRODUCTIVITY		
Inside/outside turning radius	2.75 m/4.85 m	9 ft /15 ft 11 in
Break out force (with 800L shovel SAE J 732)	11,000 kg	24,248 lbs
Towing capacity at dynamometer	11,500 kg	25,350 lbs
Travel speed maximum	30 km/h	18.6 mph
Fork-holder plate rotation	124°	124°
Chassis levelling on both axles	+/- 7.5°	+/- 7.5°
Floating forks	L 1200 mm Section 150 x 60 mm	L 3 ft 11 in Section 6 in x 2 in
Tyres (DIN 70361)	445/65 R 22,5"AR-01-TL	
Lifting/lowering time	26 sec./20 sec.	26 sec./20 sec.
Extension/retraction time	37 sec./25 sec.	37 sec./25 sec.

POWER		
Engine	Cummins QSB4,5 4-cylinder Turbo Diesel 159 hp (119 kW)	
Tank capacities		
Fuel	145 L	38 gal
Engine oil	18 L	5 gal
Hydraulic oil	230 L	61 gal
Hydraulic output/pressure	135 L / min - 270 bars	30 gal / min - 3,916 psi

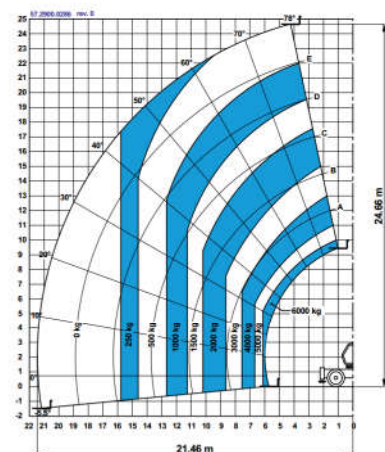
WEIGHT		
Weight*	20,450 kg	45,080 lbs

STANDARDS COMPLIANCE	Operating cab conforms to ISO3471 (ROPS) and ISO3449 (FOPS) Low emission engine conforms to UE 97/68 directives
----------------------	--

* Weight will vary depending on options and/or country standards



Lift capacity chart (with stabilisers, 90°)



Lift capacity chart (without stabilisers, 0°)

Features

STANDARD FEATURES

MEASUREMENTS

- 6,000 kg (13,226 lb) maximum lift capacity
- 24.84 m (81 ft 6 in) maximum lift height
- 20.85 m (68 ft 4 in) maximum forward reach

PRODUCTIVITY

- 4 x 4
- 4 - wheel drive
- 3 steering modes:
 - front wheel steer
 - crab steer
 - coordinated steer
- Power assisted steering
- Front and rear stabilisers
- Continuous rotation
- Hydrostatic transmission with electronic control, variable displacement pump and motor
- Two-speed mechanical gearbox 'shift on fly'
- 2 Multifunction electro-proportional joysticks 4x1
- Limited slip differential on front axle
- Hydraulic quick coupling for attachments
- Floating forks
- Chassis levelling on front axle +/- 7.5°
- Attachment holder plate with hydraulic quick coupling
- Door with two sections: steel on bottom, glass on top. Both sections open separately
- Man-platform pre-arrangement
- Adjustable suspended seat
- Large diameter steering wheel
- Front and rear windscreen wipers
- Sunshield
- Roof protection grid inside cabin
- Front & rear lights
- Oil immersed, multi-disc brakes on both axles
- Lockable fuel tank
- Longitudinal stability control system with load monitor
- Visible display with coloured LEDs
- Audible alarm
- Automatic lock-out of boom extension and lowering
- Lockout of stabilisers with boom raised
- Maintenance collar

STANDARD FEATURES cont.

POWER

- Cummins Turbo Diesel 159 hp (119 kW)

TYRES

- 445/65 R 22,5" AR-01-TL (DIN 70361)

OPTIONS & ACCESSORIES

PRODUCTIVITY

- Air conditioning
- Second hydraulic line on boom
- Concrete mixing bucket pre-arrangement
- Windshield protection grid
- Wiper on cab roof
- Adjustable spotlight on cab
- Adjustable spotlight on boom
- Complete radio remote control
- Spare wheel

ATTACHMENT OPTIONS

- Loading shovel 800 L
- Concrete bucket 500/800 L manual/hydraulic discharge
- Concrete mixing bucket 500 L with remote control
- Fork side shift +/- 100 mm
- FEM 4 plate and forks kit
- Fixed hook on plate
- 4 m jib, 900 kg capacity
- 2 m jib, 2,000 kg capacity
- 4 m jib with 900 kg capacity hydraulic winch
- Hydraulic winch 5000/6000 kg
- Brick-holder basket
- Centering holder boom (tunnelling application)
- Fixed and rotating man-platforms

Working At Height Limited

(Southern Office)
Amberley Court
Old Elstead Road
Milford
Surrey
GU8 5EB
Fax: 01483 417 719
Tel: 01483 415 410

Working At Height Limited

(Northern Office)
The Portergate
Ecclesall Road
Sheffield
South Yorkshire
S11 8NX

Tel: 0114 209 6206
Fax: 0114 209 6001

Suppliers of:

Powered Access Platforms
Aerial Work Platforms
Runabout Access Platforms
Scissor Lifts
Articulating Boom Access Platforms
Telescopic Boom Access Platforms
Material Lifts
Telehandlers
MEWPS Training